

Version	2.0	Date	4/5/18
Prepared By	JC		

**PRODUCT SPECIFICATION**

<b>Category</b>	Vapor Tight Jelly Jar
<b>Item Number</b>	7604
<b>Stock Code</b>	LED-FXVTJ20/830/MV-WM
<b>Mounting</b>	Wall
<b>Housing Color</b>	Gray



**ELECTRICAL CHARACTERISTICS**

Rated Wattage (W)	20	Replacement Wattage (W)	150
Tested Wattage (W)	20		
Input Voltage (V)	120-277V	Surge Protect Level	2KV
Voltage Frequency (Hz)	50/60		
Input Current (A)	0.23	Dimmable	-
Power Factor	>0.9	AUX (12V) Line	-
THD	<20%		

**PHOTOMETRIC CHARACTERISTICS**

Lumen (lm)	1,713	CCT (K)	3000K
Efficacy (lm/w)	-	Beam Angle (°)	-
CRI	>80		

**GENERAL CHARACTERISTICS**

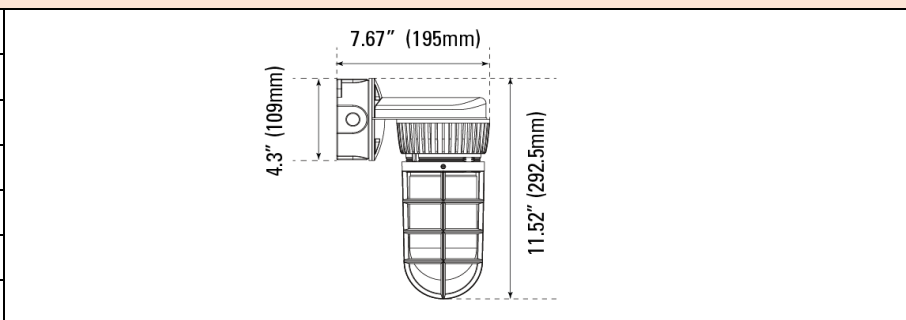
Operating Temperature (°F)	-4°F ~ 122°
Storage Temperature (°F)	-22°F ~ 122°
IP Rating	IP65
IK Rating	-
Rated Life (Hrs)	50,000
Warranty (Yrs)	5

**ACCESSORIES**

Item #	Stock Code	Description
P10169	LENS-VTJ	Replacement Lens

**PRODUCT DIMENSIONS**

Width- in / (mm)	-	-
Height- in / (mm)	11.52"	292.5
Depth- in / (mm)	7.67"	195
EPA (ft²)	-	-
Weight (lbs)	3.8	-
Mounting Height (ft)	-	-
Cable Length (ft)	-	-



**CERTIFICATIONS**

UL/ETL	ETL	CEC	
NSF/ETL Sanitation		JA8	
Energy Star	✓	FCC	
DLC		RoHs	

**DOCUMENTS**

LM79	✓	IES File	✓
LM80	✓	Dimmer List	

**COMMENTS**

--